

ORDER FORM

Electric Attachable Handcycle for Wheelchairs



Patent N.: 102018000010144; PCT/IB2021/050397;
EP21183365; 102021000003680; 202022000003789;
202023000002481; 202023000003789
Registered Design N.: 402020000002686



EASY TO CONNECT
Suitable with all Wheelchair models
*Special clamps for carbon fiber frames

DATE

USER

RESPONSIBLE

DEALER

MAIL

PHONE

NOTES

Select model

NEW MODELS

PND-P3-MINI8 36

PANDHORA EP3 MINI 8 (500W/36V 13Ah)

- Wheel 8,5"
- LCD colour display
- Integrated stand
- Electro-hydraulic disc brake
- Led light
- Reverse
- Luggage hook

Plus Equipment

- Cruise control
- Regenerative Brake System (RBS)

Kids Version

- Airplane Battery 36V 288Wh
- Limited speed
- Custom battery stickers

PND-P3-MINI8 48

(1000W/48V 16Ah)



Autonomy up to 50Km
Charger time ≈ 3h 30'

PND-P3-MINI10 36

PANDHORA EP3 MINI 10 (500W/36V 13Ah)

- Wheel 10"
- LCD colour display
- Integrated stand
- Electro-hydraulic disc brake
- Led light
- Reverse
- Luggage hook

Plus Equipment

- Cruise control
- Regenerative Brake System (RBS)

PND-P3-MINI10 48

(1000W/48V 16Ah)



Autonomy up to 50Km
Charger time ≈ 3h 30'

Select model

PND-P3-SMT

PANDHORA EP3 SMART (500W/36V 13Ah)

- Wheel 12"
- LCD colour display
- Integrated stand
- 1 Electro-hydraulic disc brake
- Led light
- Reverse
- Luggage hook



Autonomy 40Km
Charging Time ≈ 3h

PND-P3-STD

PANDHORA EP3 STANDARD (500W/36V 13Ah)

- Wheel 14"
- LCD colour display
- Integrated stand
- 1 Electro-hydraulic disc brake
- Led light
- Reverse
- Luggage hook



Autonomy 40Km
Charging Time ≈ 3h

PND-P3-CRS36

PANDHORA EP3 CROSS (500W/36V 13Ah)

- Wheel 10" FAT Tubeless
- LCD colour display
- Integrated stand
- 1 Electro-hydraulic disc brake
- Led light
- Reverse
- Luggage hook



Autonomia 40Km
Tempo di ricarica ≈ 3h

Select model

PND-P3-SMT-PLS

PANDHORA EP3 SMART PLUS (1000W/48V 16Ah)

- Wheel 12"
- LCD colour display
- Integrated stand
- Double electro-hydraulic disc brake
- Led light
- Reverse
- Cruise control
- Static regenerative brake function
- Luggage hook



Autonomy 50Km
Charging Time ≈ 3h 30'

PND-P3-PLS

PANDHORA EP3 PLUS (1000W/48V 16Ah)

- Wheel 14"
- LCD colour display
- Integrated stand
- Double electro-hydraulic disc brake
- Led light
- Reverse
- Cruise control
- Static regenerative brake function
- Luggage hook



Autonomy 50Km
Charging Time ≈ 3h 30'

PND-P3-CRS48

PANDHORA EP3 CROSS PLUS (1000W/48V 16Ah)

- Wheel 10" FAT Tubeless
- LCD colour display
- Integrated stand
- Double electro-hydraulic disc brake
- Led light
- Reverse
- Cruise control
- Static regenerative brake function
- Luggage hook



Autonomy 50Km
Charging Time ≈ 3h 30'

The photos on this sheet are purely indicative and may not fully reflect the characteristics of the chosen product.

Select model

PND-P3-END

PANDHORA EP3 ENDURO (1000W/48V 16Ah)

- Wheel 16"
- LCD colour display
- Integrated stand
- Double electro-hydraulic disc brake
- Die cast front light with protective grille
- Reverse
- Cruise control
- Static regenerative brake function
- Mirror
- Luggage hook



Autonomy 50Km
Charging Time ≈ 3h 30'

PND-P3-OFF

PANDHORA EP3 OFF ROAD (1000W/48V 16Ah)

- Wheel 14,5" FAT tessellated tubeless anti-drilling
- LCD colour display
- Integrated stand
- Double electro-hydraulic disc brake
- Die cast front light with protective grille
- Reverse
- Cruise control
- Static regenerative brake function
- Double mirror
- Storage bag
- Luggage hook



Autonomy 50Km
Charging Time ≈ 3h 30'

Select type of attachment

Lateral Attachment



Central Attachment (Optional)

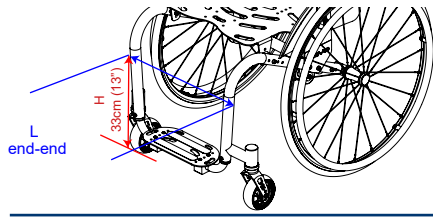


Detachable attachment head

The photos on this sheet are purely indicative and may not fully reflect the characteristics of the chosen product.

FRAME

SETUP



L cm

L > 34cm (13,4") Shaft: L

L ≤ 34cm (13,4") Shaft: S*

*Arm size S: -2cm ;

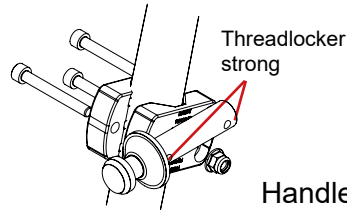
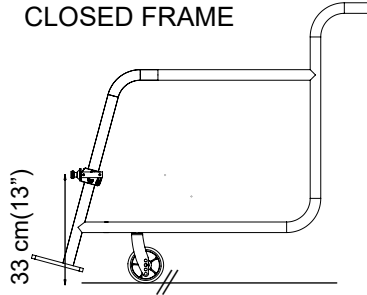
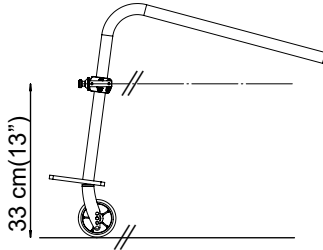
M: -6,5cm ; L: -6,5cm

Front Wheel Size ≤ 4" Plate 3
> 4" Plate 4

FIXED FOOTREST WITH STRAIGHT FRAME

FIXED FOOTREST WITH CLOSED FRAME

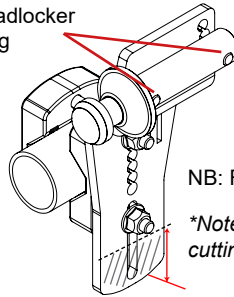
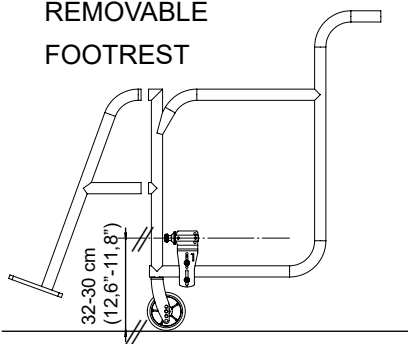
Connection: B NB: Fixed mounting with 3 screws



Stand type: Normal
Handlebar depth: 17cm; 6.7"
Arms size: M
Depth adjusters size: L

REMOVABLE FOOTREST

Connection: C
Threadlocker strong



Recommended: Conical pin located outside

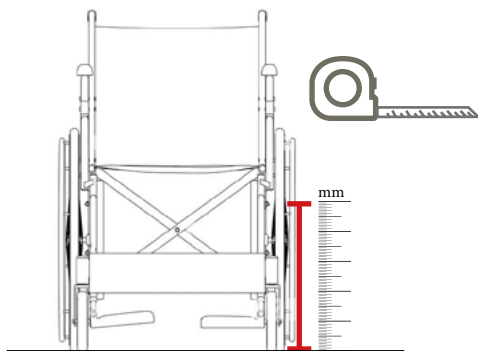
NB: Fixed mounting with 2 screws

*Note1: Maximum cutting distance 3,5 cm

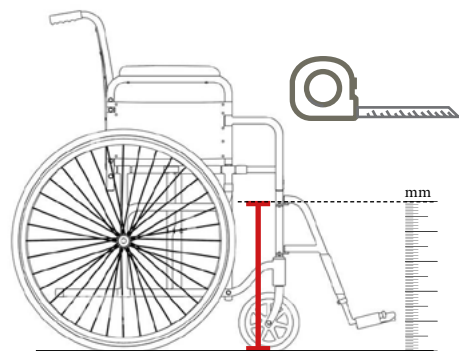
Stand type: Retractable
Handlebar depth: 17cm; 6.7"
Arms size: L
Depth adjusters size: L

TO BE ATTACHED TO THE ORDER FORM

To guarantee correct setup of the EP3 and the dedicated coupling system, please attach the photos following the indicated format.



Front photo with measuring tape from the ground



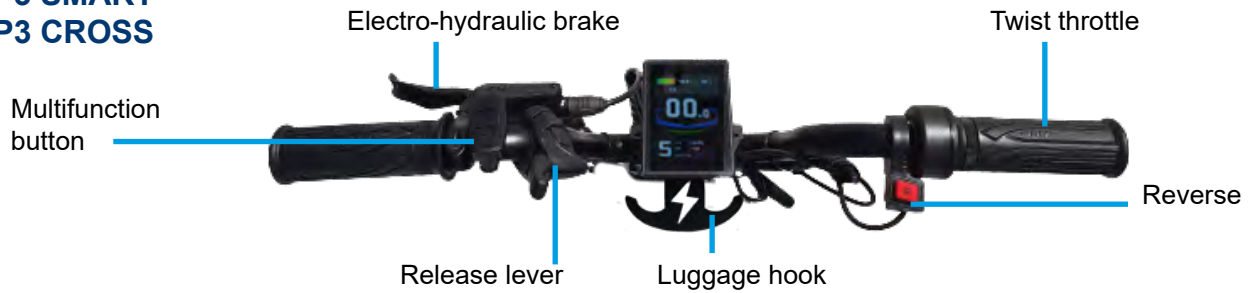
Side photo with measuring tape from the ground

Connections are suitable for all types of tubes with oval, rectangular, square, irregular, round section Ø19-36 mm (3/4" - 1" 3/8)

CONFIGURATION CLASSIC HANDLEBAR

STANDARD

**EP3 STANDARD
EP3 SMART
EP3 CROSS**



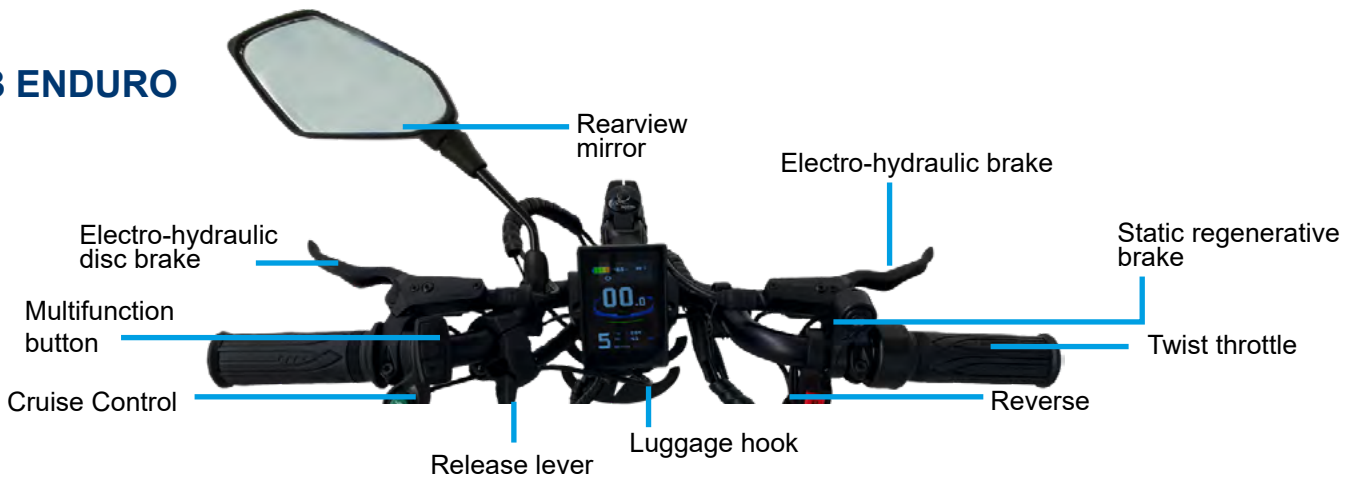
**EP3 PLUS
EP3 SMART PLUS
EP3 CROSS PLUS**



EP3 OFF ROAD



EP3 ENDURO



FOLDER HANDLEBAR

Recommended Accessory - OPTIONAL

*Can be installed on any EP3 model

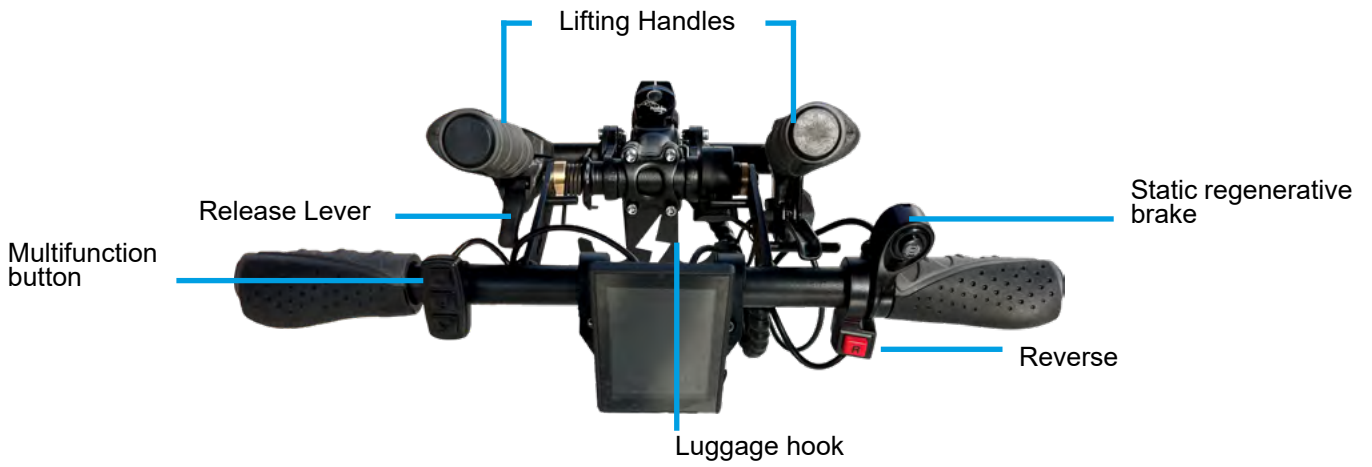


Lever
Lh Rh

CONFIGURATION TETRA START&STOP HANDLEBAR

OPTIONAL

*Can be installed on any EP3 model



ACCESSORIES TETRA HANDLEBAR



The photos on this sheet are purely indicative and may not fully reflect the characteristics of the chosen product.

CUSTOM CONFIGURATION CLASSIC HANDLEBAR

OPTIONAL

Electro-hydraulic brake
(only for Ep3 Standard)



Lh Rh

Release lever



Standard



Comfort (Optional)

Lh Rh

Twist throttle



Thumb throttle vertical



Thumb throttle horizontal



Lh Rh

ESS (Electronic Start&Stop) button
*It allows the engine to brake when the accelerator is released.



BUTTON CONTROLS (max 3 for each side)

Reverse



Lh Rh

Multifunction



Lh Rh

Static regenerative brake (RBS)



Lh Rh

Cruise Control



Lh Rh

CUSTOM CONFIGURATION TETRA START&STOP HANDLEBAR

Reverse



Lh Rh

Static regenerative brake (RBS)



Lh Rh

Multifunction



Lh Rh

FRAME COLOR

BLACK (Standard)



BLUE (Optional)



PURPLE (Optional)



RAL (OPTIONAL)

Indicate the RAL code of your favorite color

ACCESSORIES

OPTIONAL

Rearview mirrors



Lh Rh

Storage bag



Cover Caps for conical pins



Bell



Adapters for universal clamps

Eliminate empty spaces between camp and tube
*Specify wheelchair brand and model on page 6



Airplane Battery 36V 288Wh

Airplane Battery 48V 288Wh



Travel bag for EP3 transport



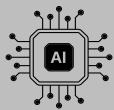
Clapms Covers
Technical Fabric



Edge Protector for arms + Depth Adjuster Covers
Technical Fabric



*Some functions may be disabled in certain specific configurations



NEW Controller AI*

AI CONTROLLER FUNCTIONS PACKAGE

- ▶ **ESS 2.0 - Electronic Start&Stop**
Controls movement by maintaining speed downhill with the accelerator partially rotated and stopping the vehicle completely when it is released.
- ▶ **DCC - Dynamic Cruise Control**
Maintains a constant speed on any incline, automatically brakes, and recharges the battery during braking.
- ▶ **PEB - Progressive Electronic Braking**
Fully electronic, progressive, and controlled braking, avoiding sudden stops.
- ▶ **DAS - Dynamic Anti-Slip**
Prevents slipping by adjusting engine power to ensure safe traction on any surface.
- ▶ **ECO - Energy Consumption Optimizer**
Advanced energy optimization system. Manages power with 5 customizable levels for maximum efficiency, extending device range by up to 40% without energy wastage.
- ▶ Customizable software with password protection

ADVANCED AI CONTROLLER FUNCTIONS PACKAGE (Includes all the Ai Controller functions package + DDR)

- ▶ **DDR - Dynamic Directional Radar**
Detects obstacles in the direction of travel, progressively brakes to maintain a safe distance, and resumes smooth motion when steering into an open space.